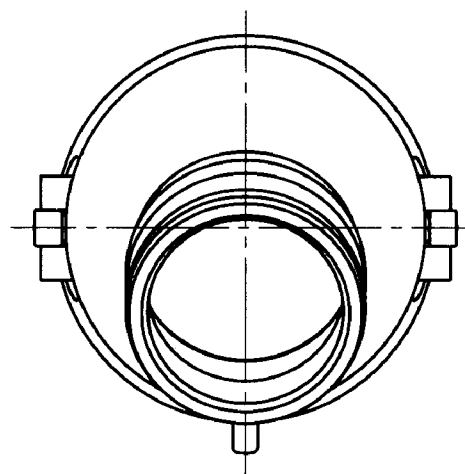
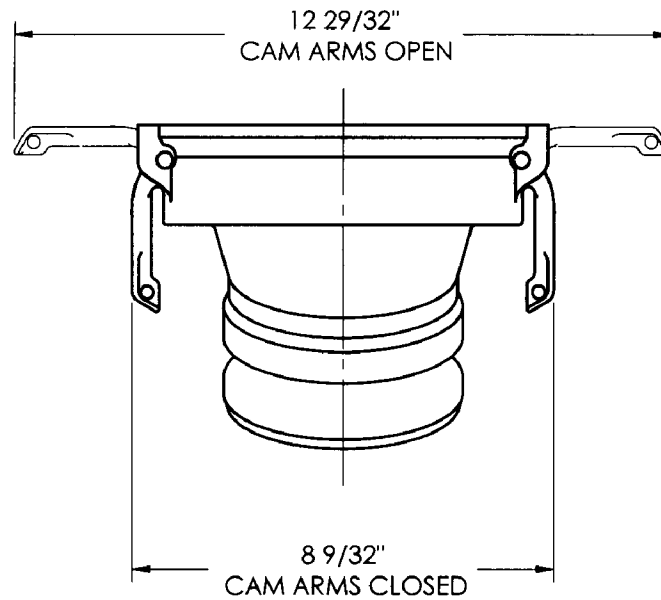
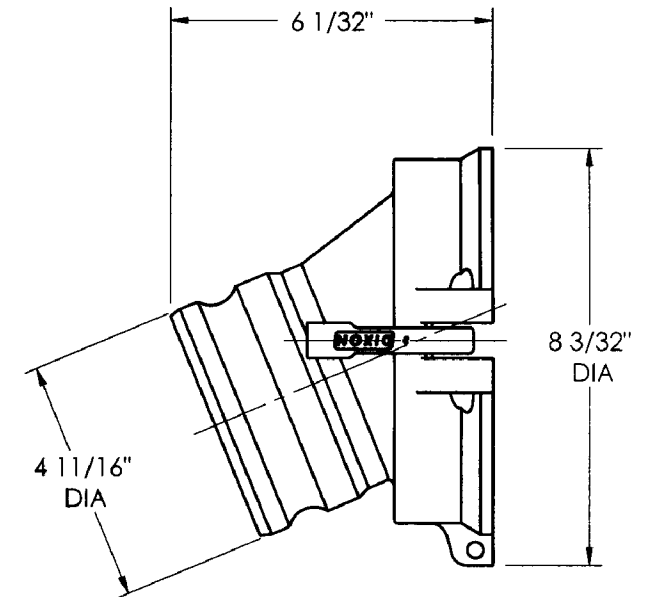


4535

CUSTOMER DWG



**41440-225AL**



CUSTOMER DWG

**DIXON VALVE & COUPLING CO.**  
U. S. A.

TITLE

22 1/2° API OFFLOADING  
ANGLE SPOUT WITH 4" ADAPTER

DRWN BY:

TDJ  
08/12/04

CHECKED BY:

J. Lee  
08/12/04

APPROVAL:

AE  
8-12-04

MATL:

ALUMINUM

**4535**

AGREEMENT TO MAINTAIN CONFIDENTIALITY

This drawing is owned by Dixon Valve & Coupling Co. and shall be returned upon demand. It is loaned on condition that it shall not be copied or reproduced or submitted to others without the owners consent. In accepting it subject to this condition the recipient further agrees that this drawing or any design detail or concept disclosed herein shall not be used in any way detrimental to or in competition with the owner. If the recipient does not agree to the terms of this agreement they shall return this drawing immediately.



The Right Connection™